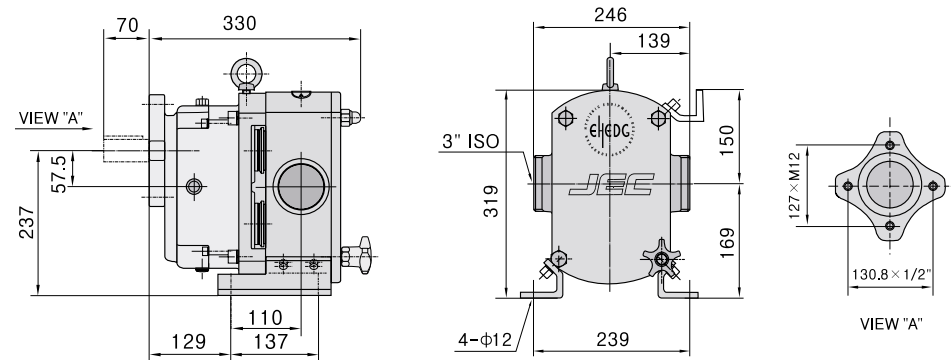
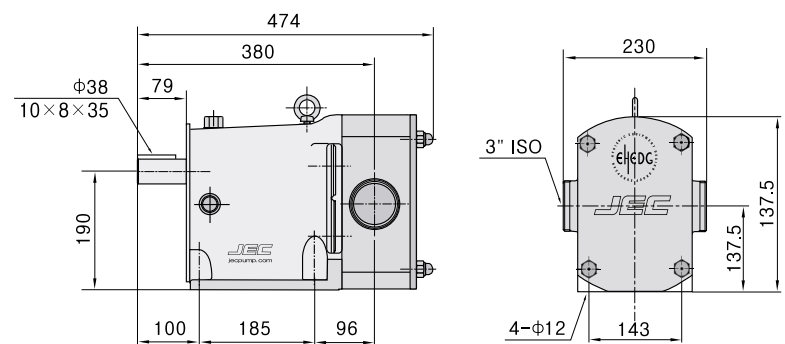




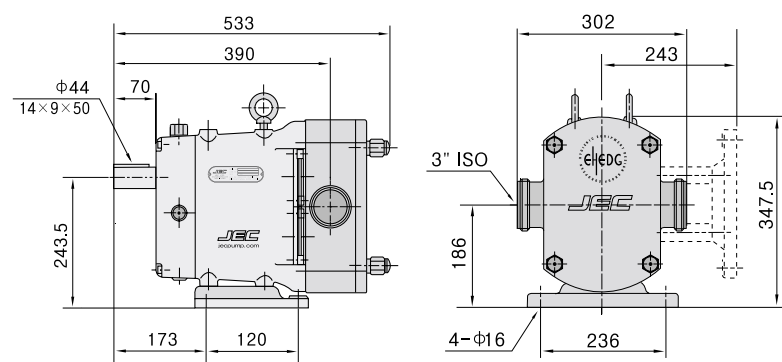
■ JTP330 VERSION



■ JTP220/230 VERSION

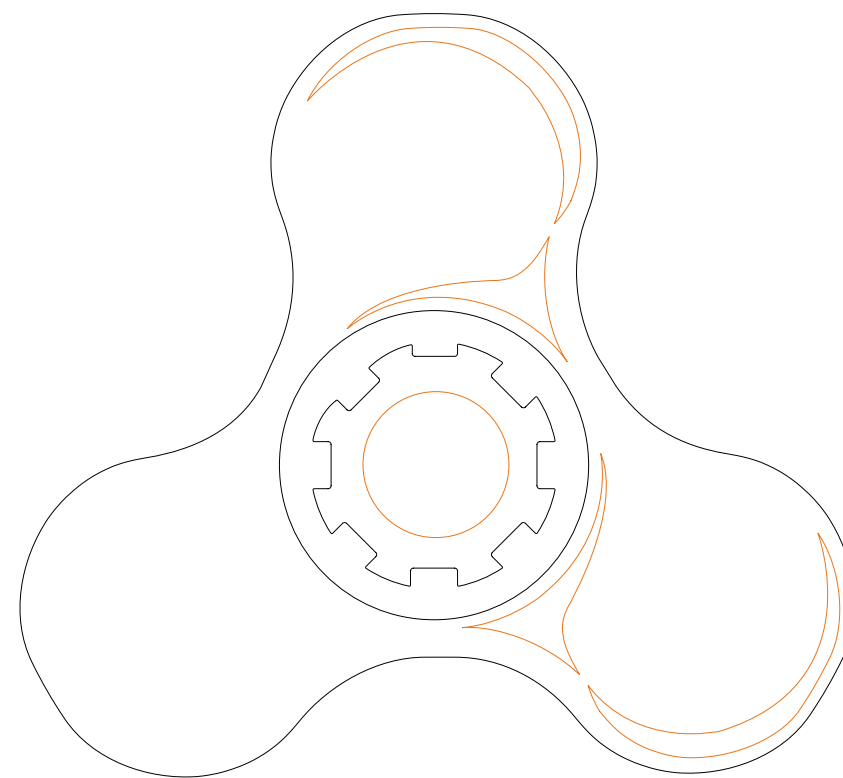


■ ZL330 VERSION



# JEC - Always a Step Ahead

JTP SERIES ROAD TANKER ROTARY PUMPS

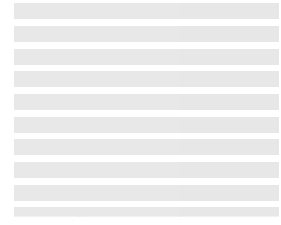


**JEC**  
P U M P S

**JEC**

# 3P

High Pride  
Higher Performance  
Highest Quality



JEC Ltd. specialise in the field of sanitary pumps.

JEC was established in 1990 and started producing sanitary pumps utilising precision cast and pressed parts for the first time in Korea. Since then JEC has been successfully supplying to the process industries centrifugal, rotary and self-priming pumps, as well as blenders. JEC pumps are now renowned for reliability both for general duties and special applications. JEC's success is built upon high quality manufacture and customer satisfaction. Our policy is one of long term vendor partnerships.

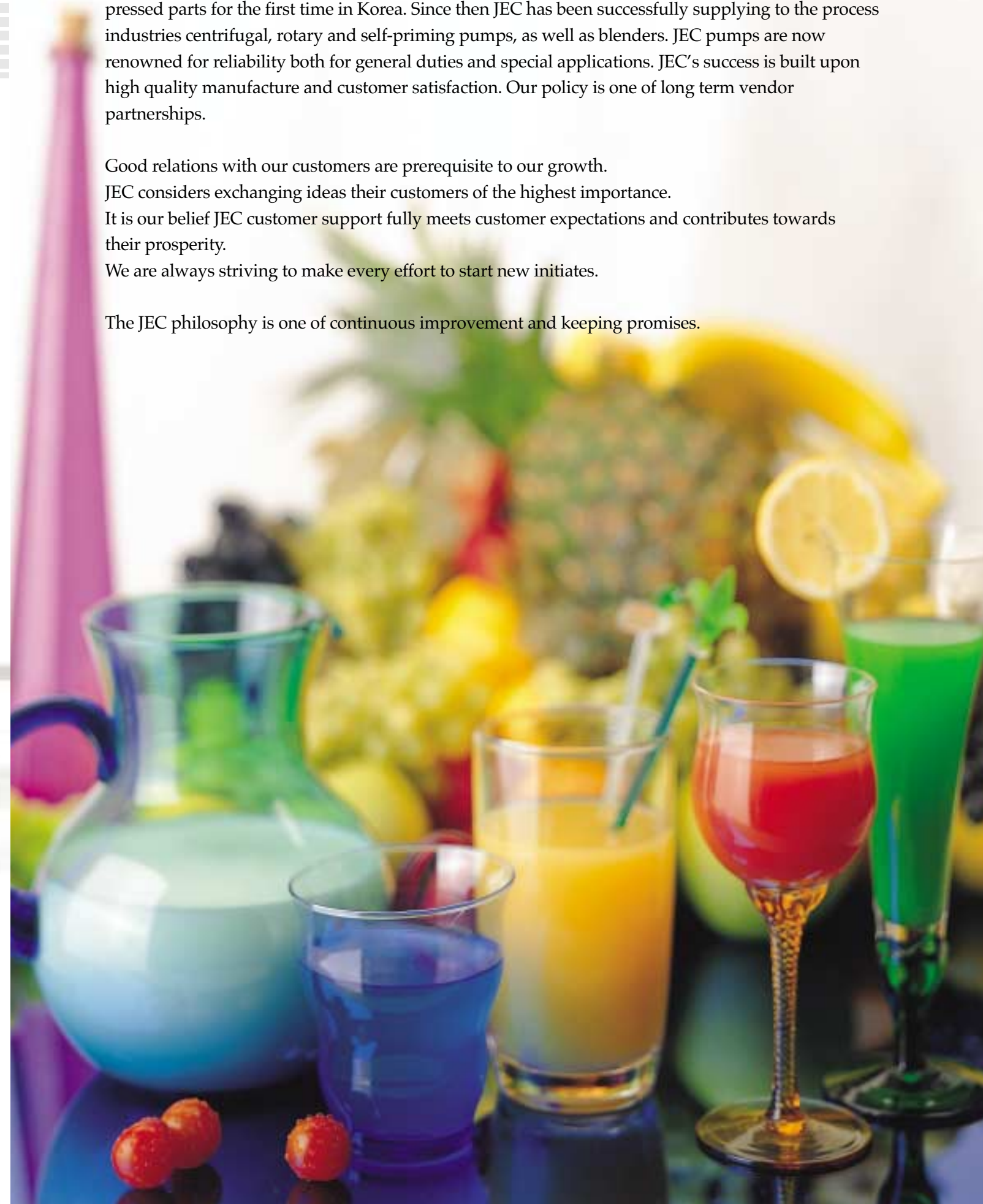
Good relations with our customers are prerequisite to our growth.

JEC considers exchanging ideas their customers of the highest importance.

It is our belief JEC customer support fully meets customer expectations and contributes towards their prosperity.

We are always striving to make every effort to start new initiatives.

The JEC philosophy is one of continuous improvement and keeping promises.



## Our pride is created by high quality!

JEC JTP series rotary pumps are specifically designed for use on road tankers. Customer benefits include low weight increasing product payload, high capacity, easy cleaning and maintenance. All parts in contact with the fluid are designed and manufactured in compliance with international sanitary standards.

Spare parts are fully interchangeable enabling pumps to be serviced without the need for skilled labour.

To meet widely varying application requirements JEC offers a variety of features and options to best serve related industry needs.



# JTP series Road Tanker Rotary Pumps

JEC - Always a Step Ahead

## JTP330 Series



- JEC JTP series are specifically designed for discharging road tankers and are the highest capacity relative to weight pumps available in the truck market. This key feature is achieved by using an aluminium gear case, hollow shafts and rotors. There are 4 models available having displacements between 0.79 to 1.63 litres / rev., and pressure ratings range between 8 to 15 bar. All JTP pumps are suitable for operating at temperatures up to 120°C.
- The revolutionary JTP design is EHEDG (European Hygienic Equipment Design Group) certified. Manufactured in AISI316 stainless steel, the pump sets the standard for uptime, reliability, and CIP performance.

## JTP200 Series



- All four seal options shown on the following page are accommodated by a universal rotor case providing cost-effective inter-changeability even if retrospectively fitted.
- Female drive shaft accepts direct-coupled SAE B or C flanged hydraulic motors as an alternative to the standard PTO male shaft ( JTP330 series only).
- Connections can be changed between the horizontal and vertical planes simple by moving the mounting feet.

## ZL330 Series



- Extraction tool facilitates easy rotor removal even when stuck.
- Unique front loading product seals gives fast maintenance, easier cleaning, and less downtime. By removing only the front cover, both rotors and product seals can be fully accessed without disconnecting the process line.
- Single hard faced mechanical seals are standard supply. Double mechanical seals specified for hazardous duties and for liquids which solidify at ambient temperatures or upon contact with the atmosphere.

## SPECIFICATIONS

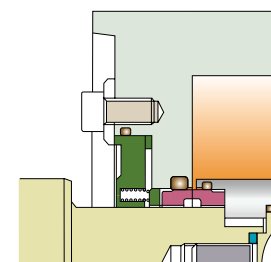
TP Series	Model No	Displacement			Standard Connection Size		Max Differential Pressure		Weight		Max Speed Rev/min
		Liters/rev	Int Gal/100rev	US Gal/100rev	mm	Inches	BAR	PSI	KG	LBS	
200	JTP220	0.78	17.14	20.57	50	2	15	218	77	170	700
	JTP230	1.07	23.52	28.22	80	3	10	145	83	183	700
300	JTP330	1.63	35.83	42.99	80	3	8	116	53	117	700
	ZL330	1.16	25.5	30.60	80	3	12	174	91	200	700

*“The higher the precision  
the longer the span of product life”*

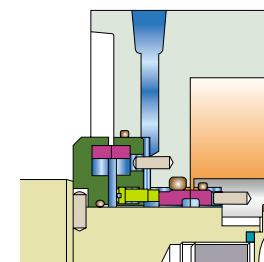


ROTOR EXTRACTION TOOL

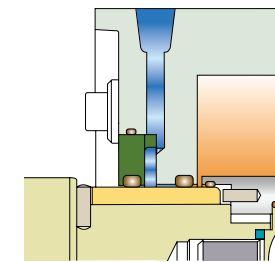
## SEAL OPTIONS



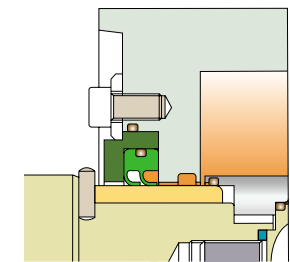
Single Mechanical Seal



Double Mechanical Seal



Double O-ring Seal



Lip Seal



Our pride is created by high quality!  
JEC Sanitary Pumps