

Keyway details
 X : Length
 Y : Width

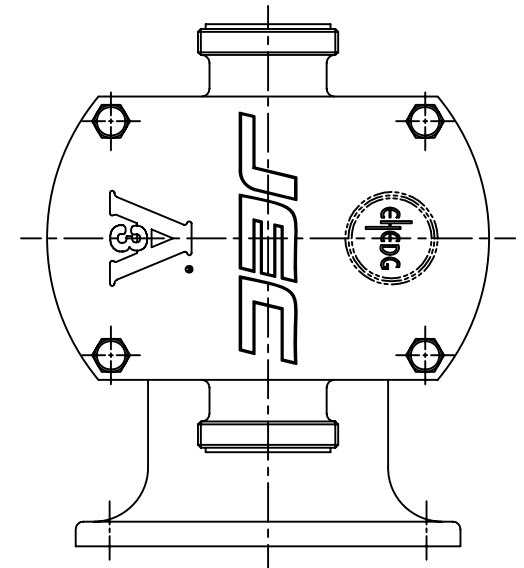
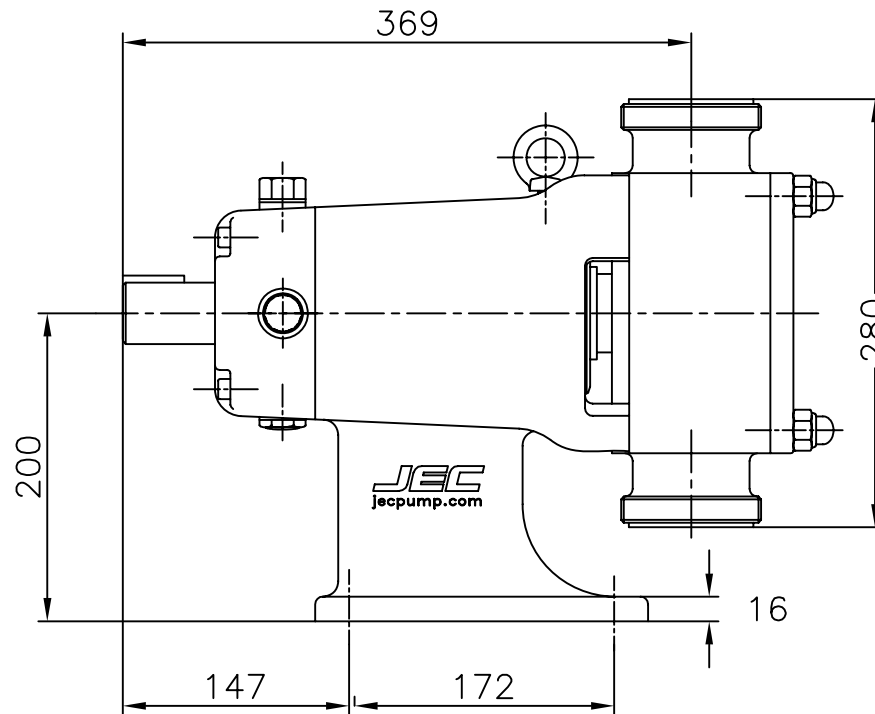
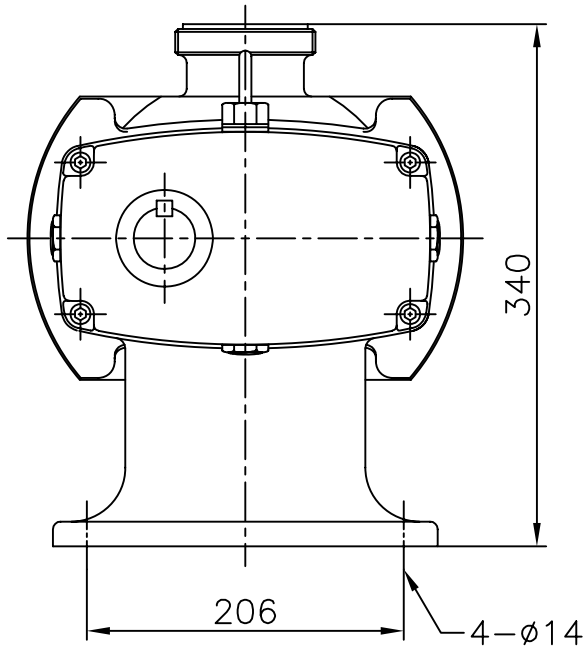
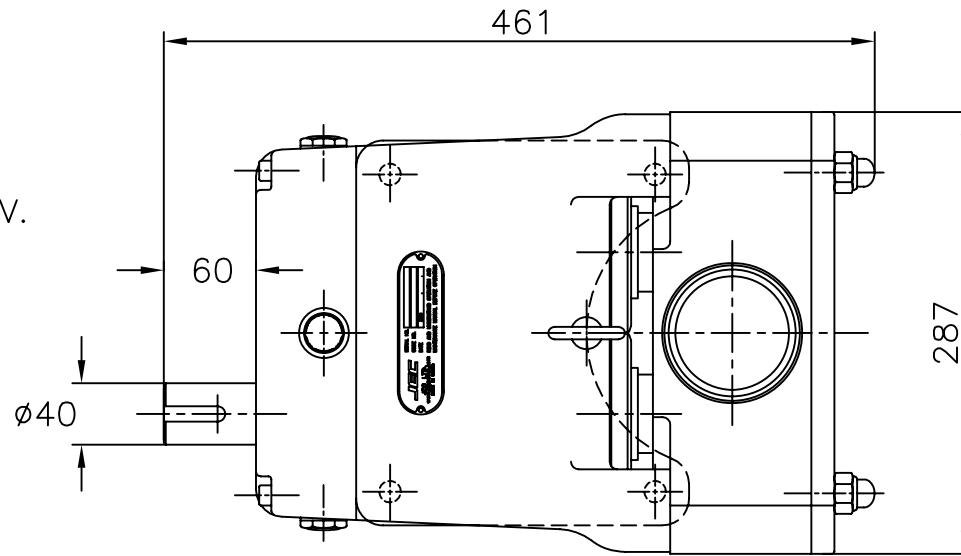
Model no.	Ports	Dimensions														
		A	B	C	D	E	F	G	H	J	K	M	N	X	Y	Z
JTP220	2"	454	230	281	370	100	185	146	21.5	79	190	137.5	38	10	35	12
JTP230	3"	474	230	281	380	100	185	146	21.5	79	190	137.5	38	10	35	12

Model no.	Dimensions B		Weight KG	Volume CBM
	ISO	FLANGE		
JTP220	2" x 230	JIS 10K x 294	77	0.03
JTP230	3" x 230	JIS 10K x 320	83	0.06

JEC		JEC LTD.		
TITLE : FOR JTP SERIES DIMENSIONAL DRAWING				
DWG.	CHK.	DATE	SCALE	DWG. NO.
SONG		NOV 99	NONE	DJ-ZL002-1

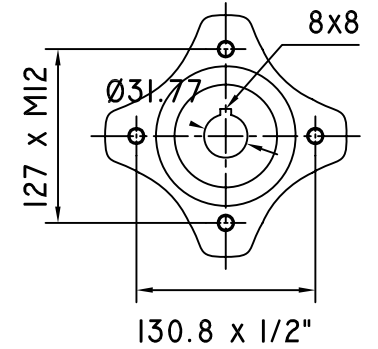
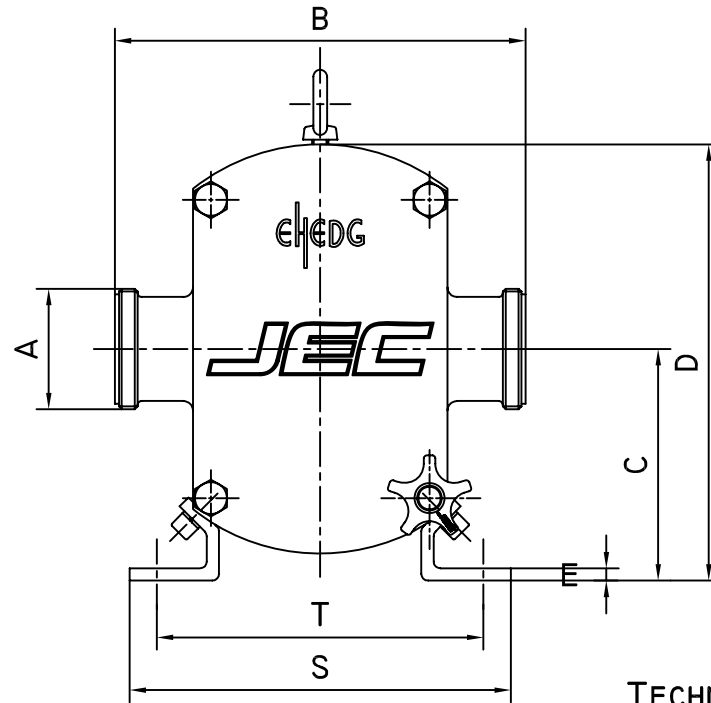
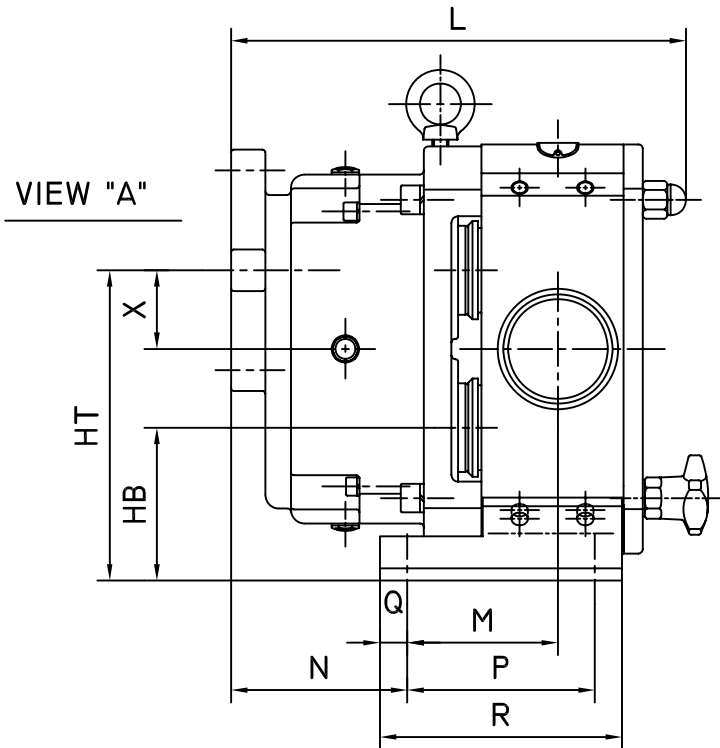
TECHNICAL DATA

DISPLACEMENT : 117 L/100 REV.
 PRESSURE : 10 KG/CM²
 SHAFT SEAL : SINGLE MECH.
 PORT SIZE : 3" IDF MALE
 FLOW RATE : 50 M³ /HR
 TEMPERATURE : 120 °C
 MAX SPEED : 700 RPM
 MAX VISCOSITY : 100,000 cP
 TOTAL WEIGHT : 84 KG



JEC		JEC LTD.		
TITLE : JTP430-117-10-NHP3				
OUTLINE DRAWING				
DWG.	CHK.	DATE	SCALE	DWG. NO.
				DJ-TP4-01

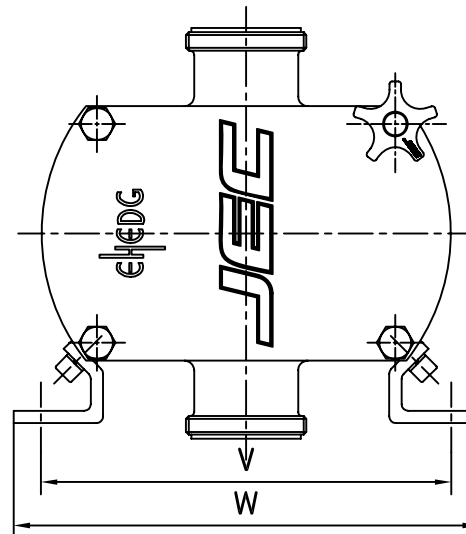
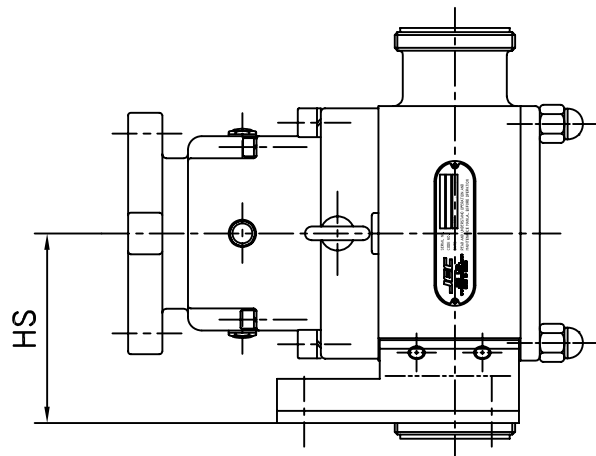
A	B	C	D	E	HB	HS	HT	L	M	N	P	Q	R	S	T	U	V	W	X	WEIGHT(KG/LBS)
100	300	169	319	9	112	139	227	330	110	129	137	20	177	279	239	15	300	340	57.5	53 / 117



VIEW "A"

TECHNICAL DATA

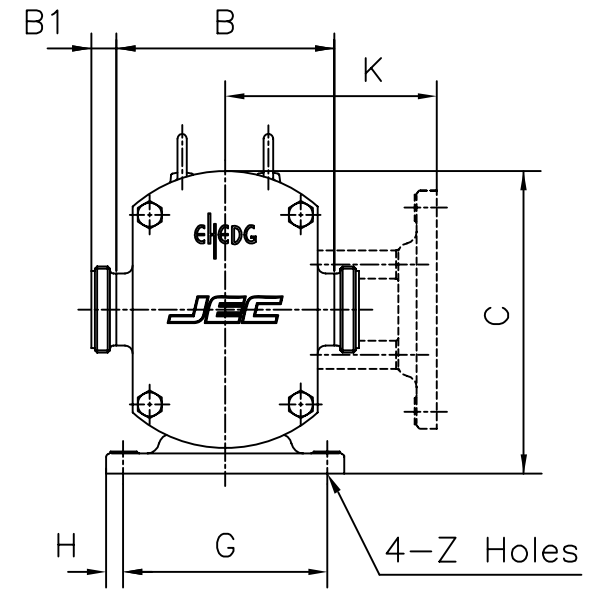
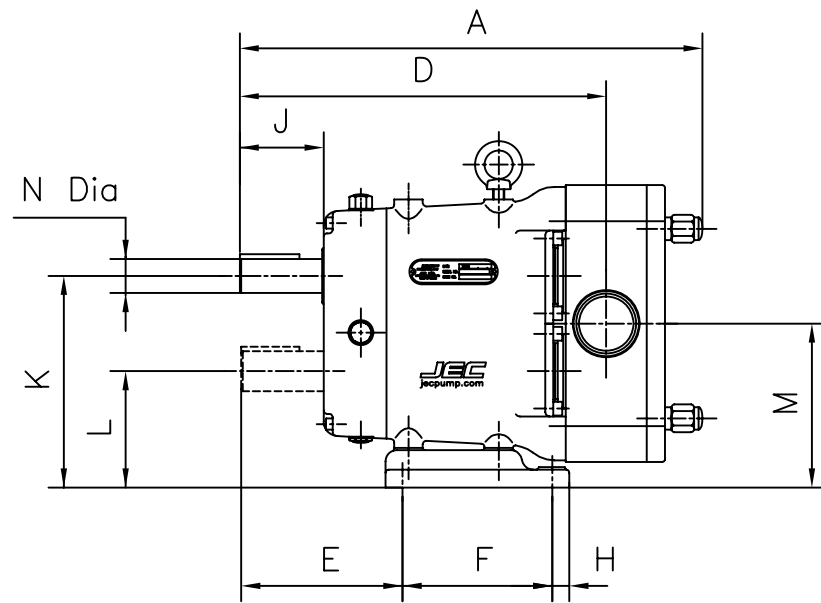
FLOW RATE : 266 GPM / 1000 LPM
 PRESSURE : 116 PSI / 8KG/CM²
 TEMPERATURE : 250 °F / 120°C
 PORT SIZE : 3 INS
 DISPLACEMENT : 163 L/100 REV.
 SPEED : 700 RPM
 VISCOSITY : 100,000 cP



JEC JEC LTD.

TITLE : FOR TANKER TRUCKS/TP330/STD
TRUCK PUMP/DIMENSION

DWG.	DESIGN	DATE	SCALE	DWG. NO.
	JUN	AUG.31.00	1/1	



Keyway details
 X : Length
 Y : Width

Model no.	Ports	Dimensions																
		A	B	C	D	E	F	G	H	I	J	K	L	M	N	X	Y	Z
JRZL330-116-12	3 "	533	242	347.5	390	193	120	236	22	22	70	240	128.5	186	44	60	12	18

Model no.	Ports	Dimension		Weight KG	Volume CBM
		ISO	FLANGE		
JRZL330-116-12	3 "	28	40	94	0.06

JEC		JEC LTD.		
TITLE : JRZL330 FOR HOWARD DIMENSIONAL DRAWING				
DWG.	CHK.	DATE	SCALE	DWG. NO.
SONG		NOV 99	NONE	DJ-ZL002-1