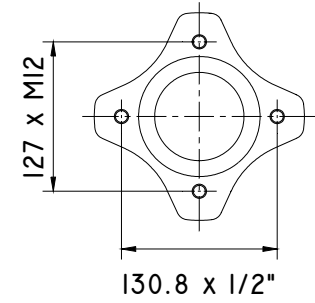
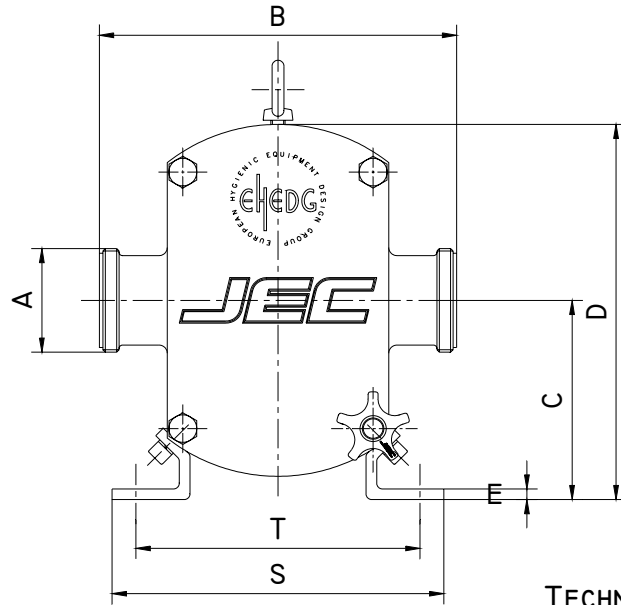
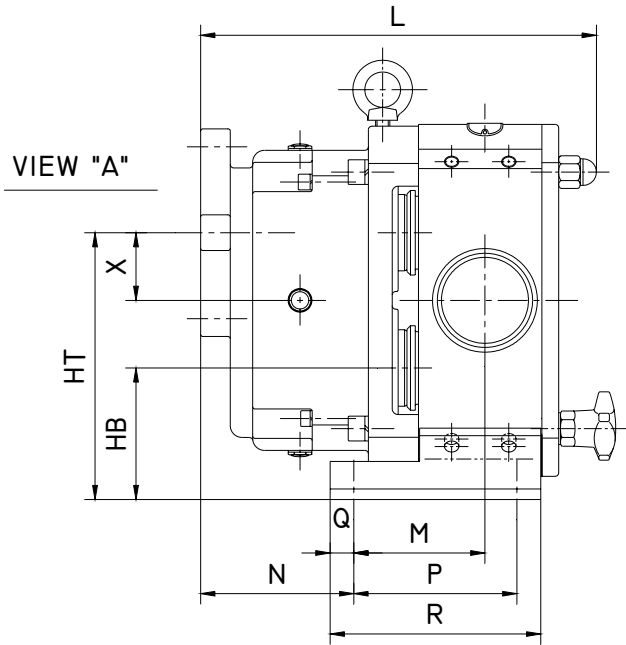
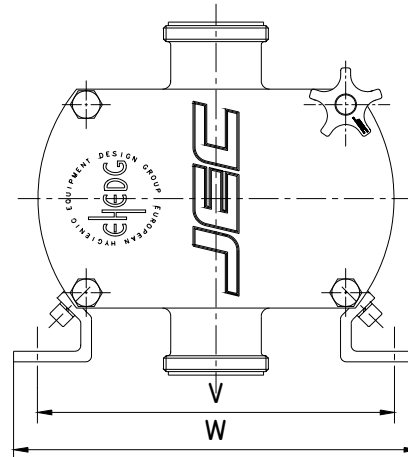
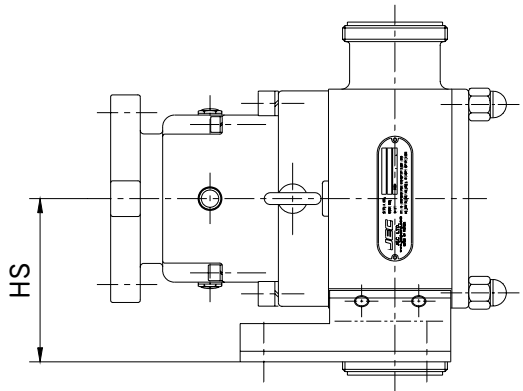


A	B	C	D	E	HB	HS	HT	L	M	N	P	Q	R	S	T	U	V	W	X	WEIGHT(KG/LBS)
100	300	169	319	9	112	139	227	330	110	129	137	20	177	279	239	15	300	340	57.5	53 / 117



VIEW "A"



TECHNICAL DATA

FLOW RATE : 266 GPM / 1000 LPM
 PRESSURE : 116 PSI / 8KG/CM²
 TEMPERATURE : 250 °F / 120°C
 PORT SIZE : 3 INS
 DISPLACEMENT : 144 L/100 REV.
 SPEED : 700 RPM
 VISCOSITY : 100,000 cP

JEC JEC LTD.

TITLE : FOR TANKER TRUCKS/TP330/STD
TRUCK PUMP/DIMENSION

DWG.	DESIGN	DATE	SCALE	DWG. NO.
	JUN	AUG.31,00	1/1	

Rotary Transport Pumps Comparision

Competitors	Displacement L/100rev.	Ports Size inch	Max. Speed RPM	Max. Flow rate GPM	Max. Pressure psi	Max. Temp. °F	Min. Weight lbs	Remarks
Drum FP2000	117	3	750	232	140	300	* 145	New pump
Drum 2130	117	3	750	232	100	300	149	Phase out
Flow Tech 550	108	3	800	228	200	250	161	Challenger
Viking RPT30	129	3	1000	340	175	150	148	Challenger
Albin SLP330	104	3	700	192	145	230	181	Low share
Pureflow/ITT	92	3	700	170	145	300	165	Low share
JEC TP330	144	3	700	266	100	250	* 127	Challenger

* It mean that with relief valve.

JEC		JEC LTD.		
TITLE : Transport Pumps Comparision				
DWG.	CHK.	DATE	SCALE	DWG. NO.