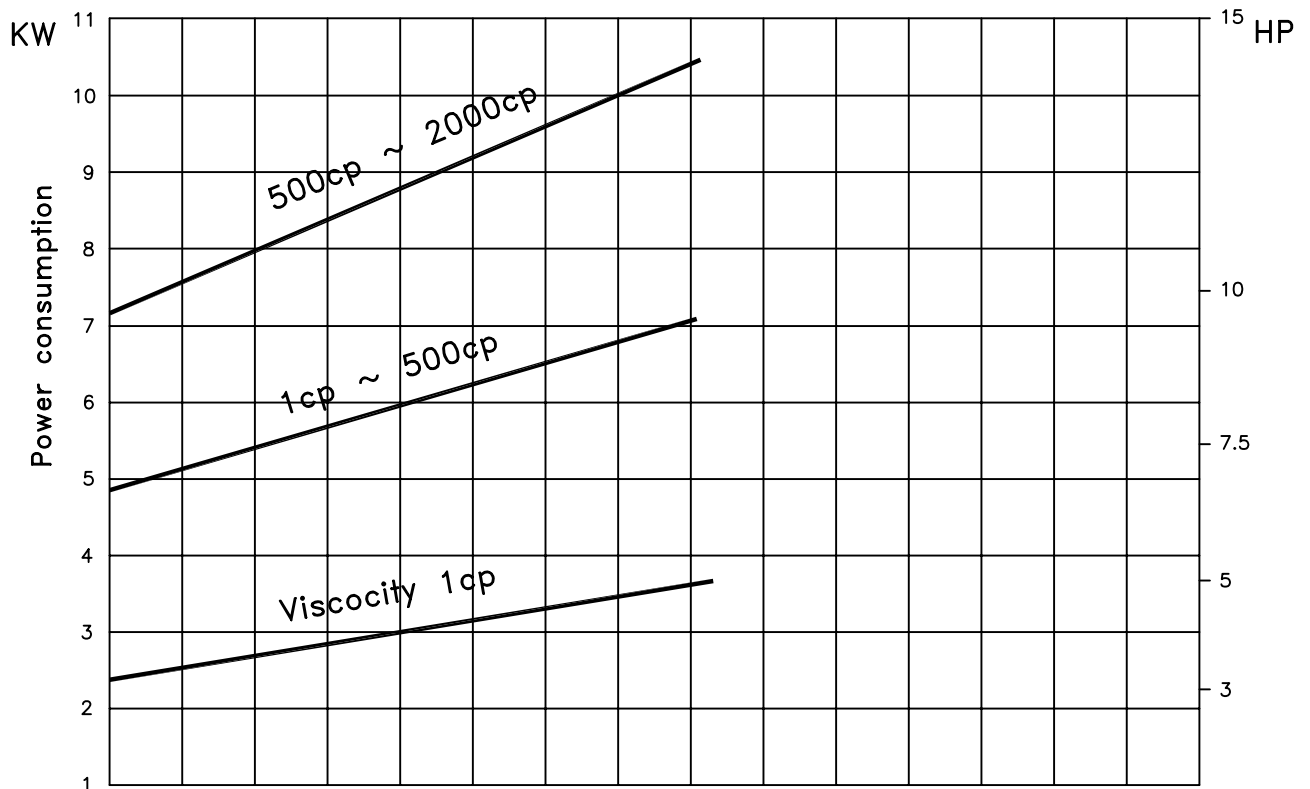
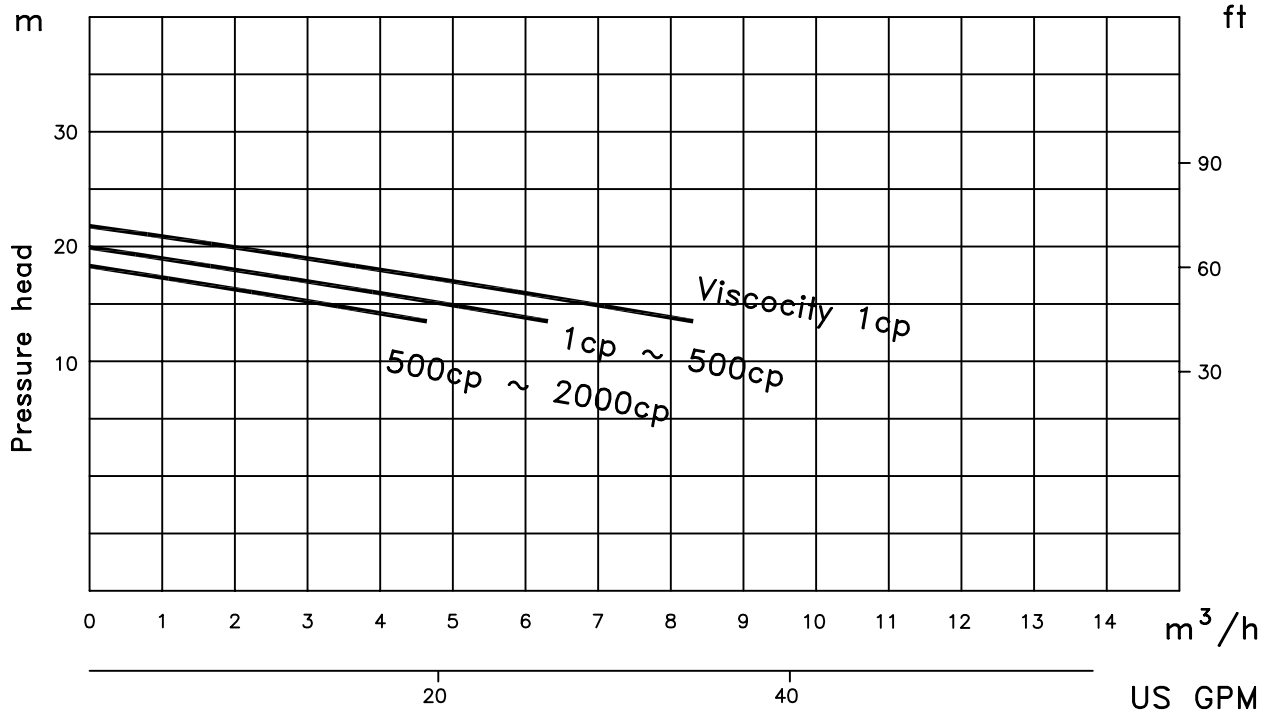


Speed 3600 rpm 60Hz

Impeller max. dia. : 150 mm
min. dia. : - mm

Performance data refer to water at 20°C
Permissible tolerance ±5%

Pump inlet: dia. : 51 mm
Pump outlet: dia. : 38 mm



Speed 3000 rpm 50Hz

Impeller max. dia. : 150 mm
min. dia. : - mm

Performance data refer to water at 20°C
Permissible tolerance ±5%

Pump inlet: dia. : 51 mm
Pump outlet: dia. : 38 mm

