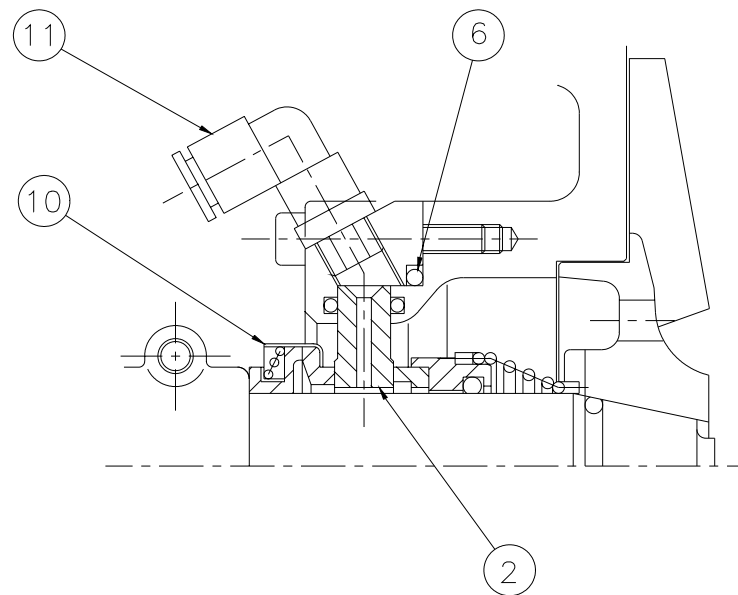
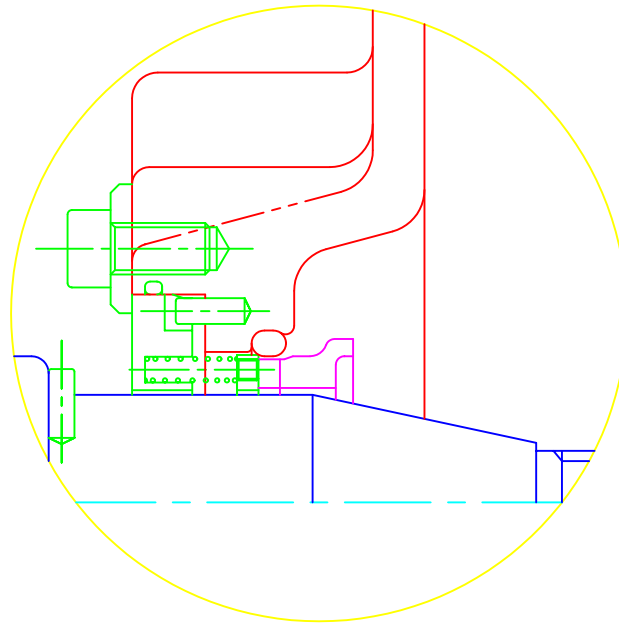
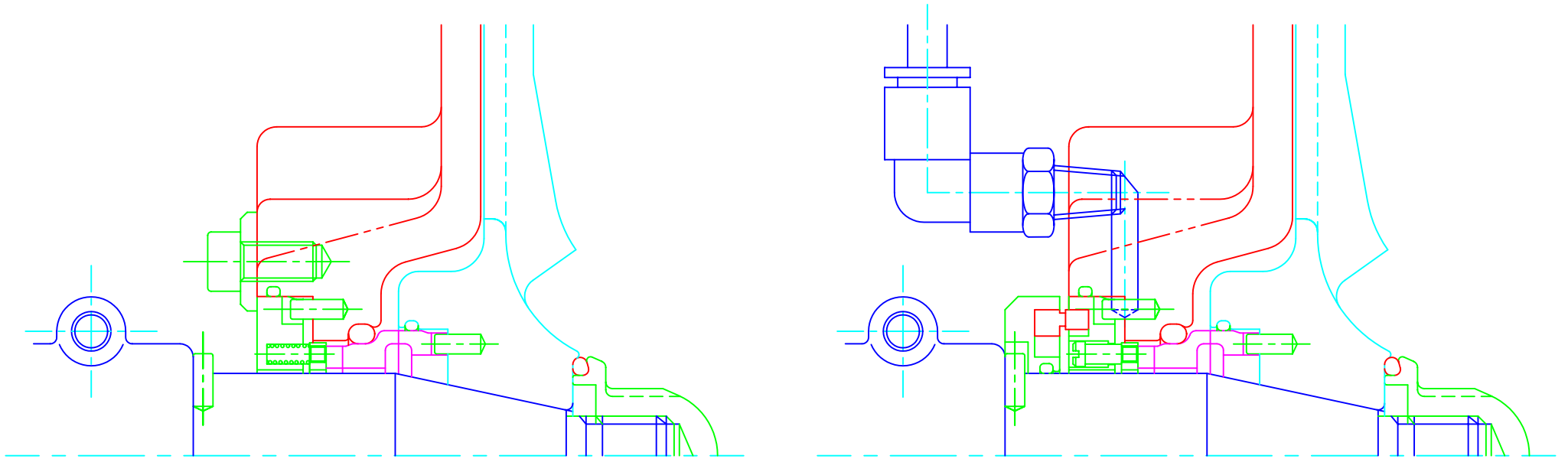


Standard version



Water flushed version

-2		O-RING (ROTARY)	VITON	1	11		NIPPLE		2
-1		O-RING (ROTARY)	EPDM	1	10		F. WATER SEAL	CARBON	1
4		O-RING (ROTARY)	NBR	1	9		WRENCH BOLT	SUS304	4
-1		ROTARY RING	SiC RING	1	-1		SEAL COVER (WFV)	SUS304	1
3		ROTARY RING	CARBON	1	8		SEAL COVER (SV)	SUS304	1
-1		SEAT RING	SiC	1	7		SPRING	SUS316	1
2		SEAT RING	CERAMIC	1	6		O-RING (SEAT)	NBR	1
-2		SEAT RING	SiC	1	-2		O-RING (SEAT)	VITON	1
-1		SEAT RING	CERAMIC	1	-1		O-RING (SEAT)	EPDM	1
1		SEAT RING	SiC RING	1	5		O-RING (SEAT)	NBR	1
NO. CODE NO.		DESCRIPTION	MATERIAL	Q'TY	NO. CODE NO.		DESCRIPTION	MATERIAL	Q'TY
<b>JEC</b> <b>JEC LTD.</b> TITLE : FOR JP SERIES MECHANICAL SEAL DETAIL DWG.									
DWG.    CHK.    DATE    SCALE    DWG. NO. '97 1.18    1/1									



**JEC**

**JEC LTD.**

TITLE : FOR JCP SERIES  
**MECHANICAL SEAL**

DWG.	CHK.	DATE	SCALE	DWG. NO.
	<i>James</i>	Jan. 12	1/1	